

TE-67D0-600 Series Door Replacement Kit

Application

Use the TE-67D0-600 Series Door Replacement Kit to replace the door on Johnson Controls sensor, transmitter, or controller covers. The kit comes in two styles listed in Table 1 and shown in Figure 1.

Table 1: Door Replacement Kit Selection

Product Code Number	Description
TE-67D0-601	Door Replacement Kit with Johnson Controls Logo
TE-67D0-602	Door Replacement without Logo

Installation

Parts Included

- 10 old style doors
- 10 new style doors

Door Installation

To install a replacement door, proceed as follows:

1. If the door is still attached, remove the old door.
 - a. Open the door until it is perpendicular to the sensor module cover, as shown in Figure 2.
 - b. Slide the door toward the back of the unit.
 - c. Pinch the two hinge support arms using gentle pressure while removing the door.
2. Install the new door.
 - a. Align the door so that it is perpendicular to the sensor module cover.
 - b. Pinch the hinge support arms using gentle pressure while inserting the pin into the groove on the hinge support arm.
3. Close the door onto the cover.

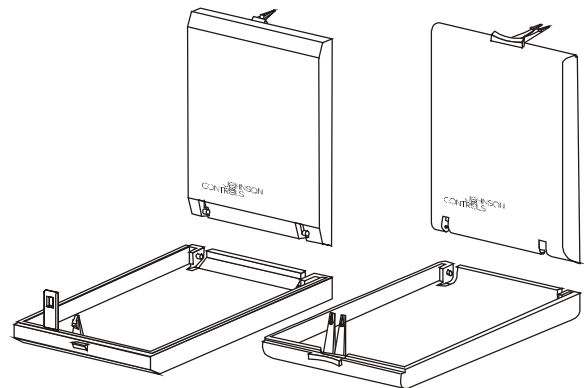


Figure 1: Old and New Style TE-67D0-600 Series Doors (Front and Back)

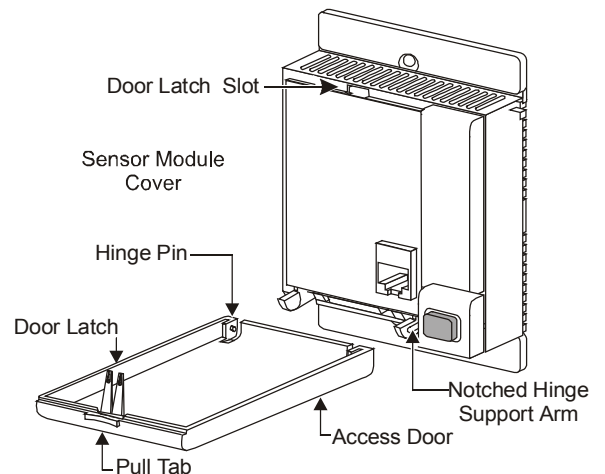


Figure 2: TE-67D0-600 Series Door (New Style) and Sensor Module Cover

Repairs and Replacement

To order replacement parts, contact the nearest Johnson Controls representative.

Technical Specifications

Product	TE-67D0-600 Series Door Replacement Kit
Materials	White PC/ABS plastic
Shipping Weight	1.5 lb (0.68 kg)

The performance specifications are nominal and conform to acceptable industry standards. For application at conditions beyond these specifications, consult the local Johnson Controls office. Johnson Controls, Inc. shall not be liable for damages resulting from misapplication or misuse of its products.



Controls Group
507 E. Michigan Street
P.O. Box 423
Milwaukee, WI 53201

Published in U.S.A.
www.johnsoncontrols.com