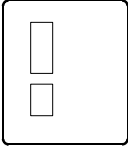





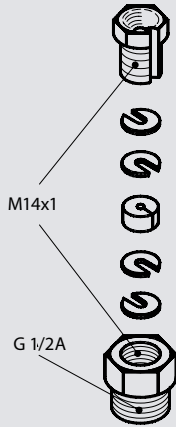
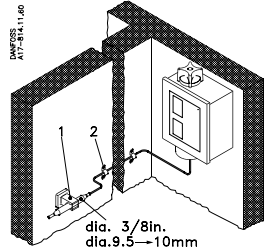
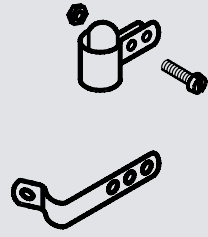
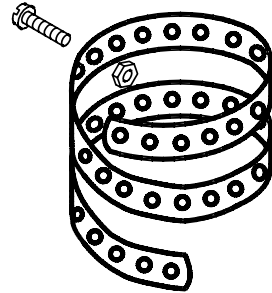


Spare parts and accessories

Thermostat RT

Description	Qty	Code no.
	Cover with pane 017-436166	
	Cover	1
	Screws	4
	Cover without pane 017-436266	
	Cover	1
	Screws	4
 DIN 404	Seal screw for cover	1 017425166
	Protective cap	1 017-436066
	Seal screw for cap	1 017-425166
	Setting knob	1 017-436366
 M14x1 G 1/2A	Capillary tube gland 017-422066	
	Rubber gasket	1
	Union	1
	Gland	1
	Washer	4

Description	Qty	Code no.
 dia. 3/8in. dia. 9.5 → 10mm	Sensor holder kit 017-420166	
	Sensor holder (1)	1
	Clamp (2)	4
	Sensor clamp 017-420366	
	Clamp	1
	Screw	1
	Nut	1
	Clamping band 017-420466	
	Band	1
	Screw	1
	Nut	1

Description	Qty	Code no.	
	Sensor pocket, G 1/2 A (ISO 228/1)		
	Screw-in depth: 112 mm, material: brass	017-437066	
	Screw-in depth: 112 mm, material: stainless steel 18/8	017-436966	
	Sensor pocket	1	
	Union	1	
	Washer	1	
	Rubber plug	1	
	Washer	2	