

Data sheet

# Thermostat, Differential thermostat RT



An RT thermostat is fitted with a single-pole changeover switch.

The position of the contacts depends on the bulb temperature and the set scale value.

The RT series includes thermostats for general applications within industrial and marine refrigeration.

The RT series also includes differential thermostats, thermostats for neutral zone regulation and special thermostats with gold-plated contact surface for PLC applications.

## Features

- Waterproof versions, enclosure IP66
- Wide regulating range
- Wide range of units for industrial and marine applications
- Suitable for alternating and direct current
- Interchangeable contact system
- Special versions for PLC applications

Approvals

| RT 2 | RT 3 | RT 4 | RT 7 | RT 8 | RT 8L | RT 9 | RT 11 | RT 12 | RT 13 | RT 14 | RT 14L | RT 15 | RT 16L | RT 17 | RT 23 | RT 24 | RT 34 | RT 101 | RT 102 | RT 107 | RT 140 | RT 140L | RT 270 |   |                                  |   |
|------|------|------|------|------|-------|------|-------|-------|-------|-------|--------|-------|--------|-------|-------|-------|-------|--------|--------|--------|--------|---------|--------|---|----------------------------------|---|
|      |      |      |      |      |       |      |       |       |       |       |        |       |        |       |       |       |       |        |        |        |        |         |        |   | Lloyd's Reg. of Shipping, LR     |   |
|      | •    |      | •    | •    | •     | •    |       | •     | •     | •     | •      | •     |        |       |       |       |       | •      |        | •      |        |         |        |   | Germanischer Lloyd, GL           |   |
|      |      |      |      |      |       |      |       |       |       |       |        |       |        |       |       |       |       |        | •      |        | •      |         |        |   | Det Norske Veritas, DNV          |   |
|      |      |      |      |      |       |      |       |       |       |       |        |       |        |       |       |       |       |        | •      |        |        |         |        |   | Bureau Veritas, BV               |   |
| •    | •    | •    | •    | •    | •     | •    | •     | •     | •     | •     | •      | •     | •      | •     | •     | •     | •     | •      | •      | •      | •      | •       | •      | • | •                                | Russian Maritime Register of Shipping, RMRS |
| •    | •    |      | •    |      |       |      |       | •     | •     | •     |        | •     |        |       | •     |       |       |        |        |        | •      |         |        |   | Nippon Kaiji Kyokai, NKK         |   |
|      |      |      |      |      |       |      |       |       |       |       |        |       |        |       |       |       |       |        |        |        | •      |         |        |   | Korean Register of Shipping, KRS |   |
| •    | •    | •    | •    | •    | •     | •    | •     | •     | •     | •     | •      | •     | •      | •     | •     | •     | •     | •      | •      | •      | •      | •       | •      | • | •                                | Conformity with EN 60730-2-1 to 9           |
| •    | •    | •    | •    | •    | •     | •    | •     | •     | •     | •     | •      | •     | •      | •     | •     | •     | •     | •      | •      | •      | •      | •       | •      | • | •                                | CE mark according to EN 60947-4, -5         |
| •    | •    | •    | •    | •    | •     | •    | •     | •     | •     | •     | •      | •     | •      | •     | •     | •     | •     | •      | •      | •      | •      | •       | •      | • | •                                | China Compulsory Certificate, CCC           |

Technical data

|  |  |
|--|--|
| <b>Cable connection</b>                | Pg 13.5. Cable diameter 6 – 14 mm.   |
| <b>Enclosure</b>                       | IP66 acc. to EN 60529 / IEC 60529, except for versions with ext. reset which are IP54. |
| <b>Permissible ambient temperature</b> | -50 – 70 °C for thermostat housing.  |
| <b>Switches</b>                        | See "Ordering switches"  |

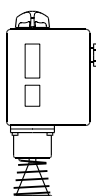
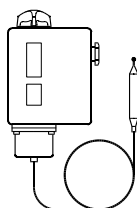
Properties according to EN 60947

|                                |                           |
|--------------------------------|---------------------------|
| <b>Wire dimensions</b>         |                           |
| solid/stranded                 | 0.2 – 2.5 mm <sup>2</sup> |
| flexible, w/out ferrules       | 0.2 – 2.5 mm <sup>2</sup> |
| flexible, with ferrules        | 0.2 – 1.5 mm <sup>2</sup> |
| Tightening torque              | max. 1.5 Nm               |
| Rated impulse voltage          | 4 kV                      |
| Pollution degree               | 3                         |
| Short circuit protection, fuse | 10 A                      |
| Insulation                     | 400 V                     |
| Ingress Protection             | IP54, IP66                |

**Data sheet | Thermostat, Differential thermostat, type RT**

**Overview**

| [°C]   |          | Range [°C] | Type |     |     |     |     |   |                |        |
|--|----------|------------|------|-----|-----|-----|-----|---|----------------|--------|
| -50  | 0        | 50         | 100  | 150 | 200 | 250 | 300 | Vapour-charged with remote bulb (bulb coldest)                | -45 – -15      | RT 9   |
|  |          |            |      |     |     |     |     | -30 – 0   | RT 13          |        |
|  |          |            |      |     |     |     |     | -25 – 15  | RT 3           |        |
|  |          |            |      |     |     |     |     | -25 – 15  | RT 2, RT 7     |        |
|  |          |            |      |     |     |     |     | -20 – 12  | RT 8           |        |
|  |          |            |      |     |     |     |     | -5 – 10   | RT 12          |        |
|  |          |            |      |     |     |     |     | -5 – 30   | RT 14          |        |
|  |          |            |      |     |     |     |     | Adsorption-charged with remote bulb (bulb warmest or coldest) | 5 – 22         | RT 23  |
|  |          |            |      |     |     |     |     | 8 – 32  | RT 15          |        |
|  |          |            |      |     |     |     |     | 15 – 34   | RT 24          |        |
|  |          |            |      |     |     |     |     | 15 – 45   | RT 140         |        |
|  |          |            |      |     |     |     |     | 25 – 90   | RT 101, RT 102 |        |
|  |          |            |      |     |     |     |     | Partial charge with remote bulb (bulb warmest)                | 70 – 150       | RT 107 |
|  |          |            |      |     |     |     |     | -50 – -15   | RT 17          |        |
| Vapour-charged with coiled capillary tube sensor (room thermostats)                    | -30 – 0  | RT 11      |      |     |     |     |     |   |                |        |
| -5 – 30  | RT 4     |            |      |     |     |     |     |   |                |        |
| Adsorption-charged with coiled capillary tube sensor (room thermostats)                | -25 – 15 | RT 34      |      |     |     |     |     |   |                |        |
| -20 – 12   | RT 8L    |            |      |     |     |     |     |   |                |        |
| Adsorption-charged dead zone thermostats with remote bulb (bulb warmest or coldest)    | -5 – 30  | RT 14L     |      |     |     |     |     |   |                |        |
| 15 – 45  | RT 140L  |            |      |     |     |     |     |   |                |        |
| Vapour-charged dead zone thermostat (room thermostat)                                  | 0 – 38   | RT 16L     |      |     |     |     |     |   |                |        |
| Adsorption-charged differential thermostats with remote bulb (bulb warmest or coldest) | -30 – 40 | RT 270     |      |     |     |     |     |   |                |        |
| -50  | 0        | 50         | 100  | 150 | 200 | 250 | 300 |   |                |        |

**Ordering**

**Thermostats**

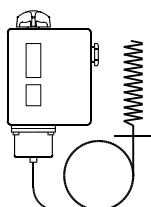
| Charge                   | Type   | Bulb type | Regulation range<br>[°C] | Differential $\Delta t$      |                              | Reset | Max. bulb temp.<br>[°C] | Capillary tube length<br>[m] | Code no.                               |
|--------------------------|--------|-----------|--------------------------|------------------------------|------------------------------|-------|-------------------------|------------------------------|--|
|                          |        |           |                          | At min. range setting<br>[K] | At max. range setting<br>[K] |       |                         |                              |  |
| Vapour <sup>1)</sup>     | RT 9   | A         | -45 – 15                 | 2.2 – 10.0                   | 1.0 – 4.5                    | auto  | 150                     | 2                            | 017-506666                             |
|                          | RT 3   | A         | -25 – 15                 | 2.8 – 10.0                   | 1.0 – 4.0                    | auto  | 150                     | 2                            | 017-501466                             |
|                          | RT 17  | B         | -50 – -15                | 2.2 – 7.0                    | 1.5 – 5.0                    | auto  | 100                     | –                            | 017-511766                             |
|                          | RT 11  | B         | -30 – 0                  | 1.5 – 6.0                    | 1.0 – 3.0                    | auto  | 66                      | –                            | 017-508366                             |
|                          | RT 4   | B         | -5 – 30                  | 1.5 – 7.0                    | 1.2 – 4.0                    | auto  | 75                      | –                            | 017-503666<br>017-503766 <sup>4)</sup> |
| Adsorption <sup>2)</sup> | RT 13  | A         | -30 – 0                  | 1.5 – 6.0                    | 1.0 – 3.0                    | auto  | 150                     | 2                            | 017-509766                             |
|                          | RT 2   | A         | -25 – 15                 | 5.0 – 18.0                   | 6.0 – 20.0                   | auto  | 150                     | 2                            | 017-500866                             |
|                          | RT 8   | A         | -20 – 12                 | 1.5 – 7.0                    | 1.5 – 7.0                    | auto  | 145                     | 2                            | 017-506366                             |
|                          | RT 12  | A         | -5 – 10                  | 1.0 – 3.5                    | 1.0 – 3.0                    | auto  | 65                      | 2                            | 017-508966                             |
|                          | RT 23  | A         | 5 – 22                   | 1.1 – 3.5                    | 1.0 – 3.0                    | auto  | 85                      | 2                            | 017-527866                             |
|                          | RT 15  | A         | 8 – 32                   | 1.6 – 8.0                    | 1.6 – 8.0                    | auto  | 150                     | 2                            | 017-511566                             |
|                          | RT 24  | A         | 15 – 34                  | 1.4 – 4.0                    | 1.4 – 3.5                    | auto  | 105                     | 2                            | 017-528566                             |
|                          | RT 140 | C         | 15 – 45                  | 1.8 – 8.0                    | 2.5 – 11.0                   | auto  | 240                     | 2                            | 017-523666                             |
|                          | RT 102 | D         | 25 – 90                  | 2.4 – 10.0                   | 3.5 – 20.0                   | auto  | 300                     | 2                            | 017-514766                             |
|                          | RT 34  | B         | -25 – 15                 | 2.0 – 10.0                   | 2.0 – 12.0                   | auto  | 100                     | –                            | 017-511866                             |
|                          | RT 7   | A         | -25 – 15                 | 2.0 – 10.0                   | 2.5 – 14.0                   | auto  | 150                     | 2                            | 017-505366                             |
|                          | RT 14  | A         | -5 – 30                  | 2.0 – 8.0                    | 2.0 – 10.0                   | auto  | 150                     | 2                            | 017-509966                             |
| RT 101                   | A      | 25 – 90   | 2.4 – 10.0               | 3.5 – 20.0                   | auto                         | 300   | 2                       | 017-500366                   |  |
| Partial <sup>3)</sup>    | RT 107 | A         | 70 – 150                 | 6.0 – 25.0                   | 1.8 – 8.0                    | auto  | 215                     | 2                            | 017-513566                             |

<sup>1)</sup> The sensor must be located colder than thermostat housing and capillary tube.

<sup>2)</sup> The sensor can be located warmer or colder than thermostat housing.

<sup>3)</sup> The sensor must be located warmer than thermostat housing and capillary tube.

<sup>4)</sup> With built-in heating coil – reduces the thermal differential

**Thermostats with adjustable dead zone**


| Charge     | Type    | Bulb type | Regulation range<br>[°C] | Mechanical differential<br>[K] | Neutral zone NZ              |                              | Max. bulb temp.<br>[°C] | Capillary tube length<br>[m] | Code no.   |
|------------|---------|-----------|--------------------------|--------------------------------|------------------------------|------------------------------|-------------------------|------------------------------|------------|
|            |         |           |                          |                                | At min. range setting<br>[K] | At max. range setting<br>[K] |                         |                              |            |
| Vapour     | RT 16L  | B         | 0 – 38                   | 1.5 – 0.7                      | 1.5 – 5.0                    | 0.7 – 1.9                    | 100                     | –                            | 017L002466 |
| Adsorption | RT 8L   | A         | -20 – 12                 | 1.5                            | 1.5 – 4.4                    | 1.5 – 4.9                    | 145                     | 2                            | 017L003066 |
|            | RT 14L  | A         | -5 – 30                  | 1.5                            | 1.5 – 5.0                    | 1.5 – 5.0                    | 150                     | 2                            | 017L003466 |
|            | RT 140L | C         | 15 – 45                  | 1.8 – 2.0                      | 1.8 – 4.5                    | 2.0 – 5.0                    | 240                     | 2                            | 017L003166 |
|            | RT 101L | A         | 25 – 90                  | 2.5 – 3.5                      | 2.5 – 7.0                    | 3.5 – 12.5                   | 300                     | 2                            | 017L006266 |

**Ordering**  
Continued

Type of bulb / sensor

| A                         | B           | C           | D                     |
|---------------------------|-------------|-------------|-----------------------|
|                           |             |             |                       |
| Cylindrical remote sensor | Room sensor | Duct sensor | Capillary tube sensor |

Special versions

RT can be supplied with special switches.  
See next page.

When ordering, please state:

1. Type
2. Code no. of standard unit
3. Code no. of special switch

Switches

| Version      | Symbol | Description  | Contact rating   | Reset | Code no.   |
|--------------|--------|--|--|-------|--|
| Standard     |        | Single-pole changeover switch with terminal board proof against leakage current.<br><b>Fitted in all standard versions of type RT.</b><br>Snap action changeover contacts. | <b>Alternating current</b><br><br><i>Ohmic:</i><br>AC 1 = 10 A, 400 V<br><br><i>Inductive:</i><br>AC 3 = 4 A, 400 V<br>AC 15 = 3 A, 400 V<br><br><i>Dir. current:</i><br>DC 13 = 12 W, 220 V | Auto  | <b>017-403066</b>  |
| Man. reset   |        | For manual reset of unit after contact changeover on rising temperature.<br><b>For units with reset facility.</b>  |  | Max.  | <b>017-404266</b>  |
| Man. reset   |        | For manual reset of unit after contact changeover on falling temperature.<br><b>For units with reset facility.</b>   |  | Min.  | <b>017-404166</b>  |
| Neutral zone |        | Single-pole changeover switch with dead zone and terminal board proof against leakage current.   |  | –     | Available only as a component part of RT controls with adjustable neutral zone |

**Ordering**  
*(continued)*
*Switches*

| Version                                   | Symbol   | Description   | Contact rating | Reset             | Code no.   |
|---|----------|---|----------------|-------------------|--|
| Standard                                  | <br>SPDT | Single-pole changeover switch with gold plated (oxide-free) contact surfaces.<br>Increases cut-in reliability on alarm and monitoring systems, etc.<br>Snap action changeover contacts.<br>Terminal board proof against leakage current.              |                | Auto              | <b>017-424066</b>  |
| Man. reset                                | <br>SPDT | Single-pole changeover switch with gold plated (oxide-free) contact surfaces.<br>Increases cut-in reliability on alarm and monitoring systems, etc.<br>Snap action changeover contacts.<br>Terminal board proof against leakage current.              |                | Max.              | <b>017-404866</b>  |
| Neutral zone                              | <br>SPDT | Single-pole changeover switch with dead zone and gold plated (oxide-free) contact surfaces.<br>Increase cut-in reliability on alarm and monitoring systems, etc.<br>Snap action changeover contacts.<br>Terminal board proof against leakage current. |                | –                 | Available only as a component part of RT controls with adjustable neutral zone |
| Man. reset                                | <br>SPDT | Single-pole changeover switch with gold plated (oxide-free) contact surfaces.<br>Increases cut-in reliability on alarm and monitoring systems, etc.<br>Snap action changeover contacts.<br>Terminal board proof against leakage current.              |                | Min.              | <b>017-404766</b>  |
| Cuts in two circuits simultaneously       | <br>SPST | Single-pole changeover switch that cuts in two circuits simultaneously on rising temperature. Snap action changeover contacts. Terminal board proof against leakage current.  |                | Max.              | <b>017-403466</b>  |
| With non-snap action change-over contacts | <br>SPDT | Single-pole changeover switch with non-snap action changeover contacts.   | –              | <b>017-018166</b> |  |

<sup>1)</sup> If current is led through contacts 2 – 4, i.e. terminals 2 – 4 connected but not 1, max. permissible load is increased to 90 W, 220 V.

The switches are shown in the position they assume on falling temperature, i.e. after downward movement of the RT main spindle. The setting pointer of the control shows the scale value at which contact changeover occurs on falling temperature.

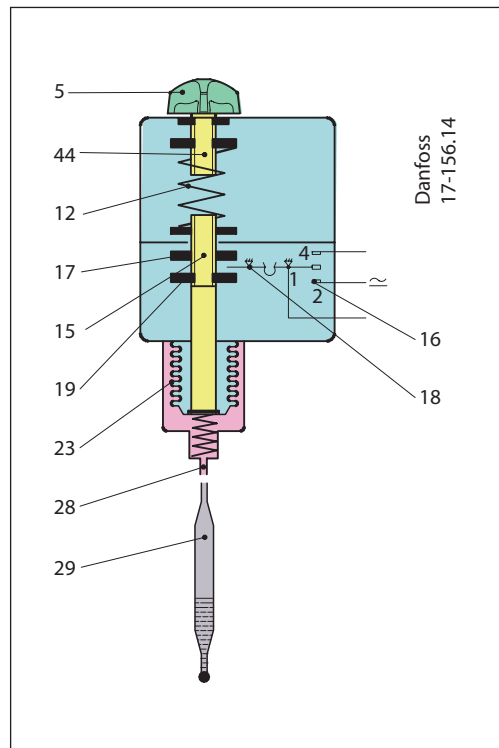
An exception is RT with switch, code no. **017-404266**, with max. reset where the setting pointer shows the scale value at which contact changeover occurs on rising temperature.

*Spare parts and accessories,*  
see separate spare parts catalogue.

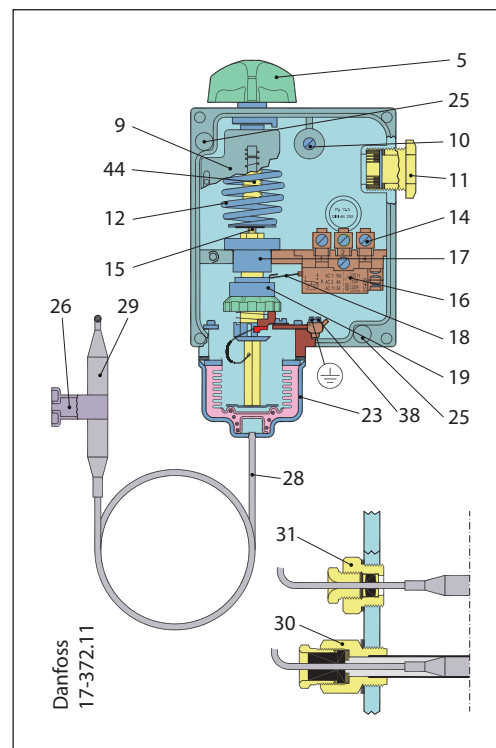
**Design / Function**

- 5. Setting knob
- 9. Regulation range scale
- 10. Loop terminal
- 11. Pg 13.5 screwed cable entry
- 12. Main spring
- 14. Terminals
- 15. Main spindle
- 16. Switch
- 17. Upper guide bush
- 18. Contact arm
- 19. Differential temperature setting nut
- 23. Bellows element
- 25. Fixing hole
- 26. Sensor (bulb) clip
- 28. Capillary tube
- 29. Sensor (bulb)
- 30. Sensor (bulb) pocket
- 31. Capillary tube gland
- 38. Earth terminal
- 44. Temperature setting spindle

Key sketch of RT thermostat



RT thermostat



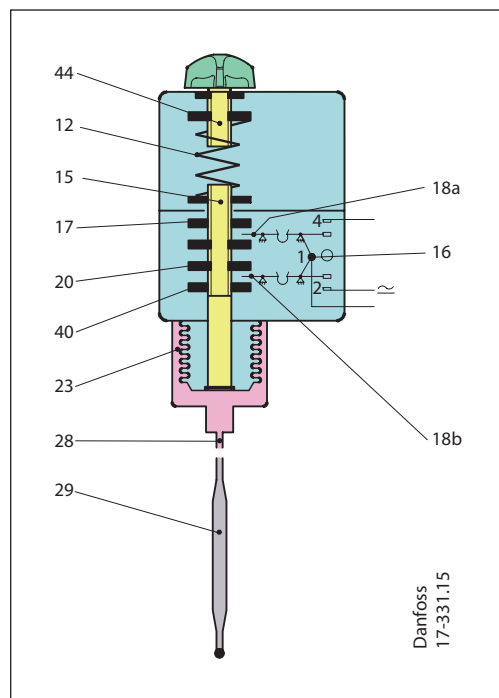
The thermostatic element consists of a sensor (29) capillary tube (28) and bellows element (23). The element contains a charge that reacts to temperature variations at the sensor so that the pressure on the moving bellows rises when temperature rises.  
By turning the setting knob (5) the main spring (12) can be set to balance the pressure in the element.

A rise in temperature at the sensor compresses the bellows and moves the main spindle (15) upwards until spring force and element pressure are in equilibrium.  
The main spindle (15) is fitted with a guide bush (17) and a differential setting nut (19) that together transfer the main spindle movement to the switch (16).

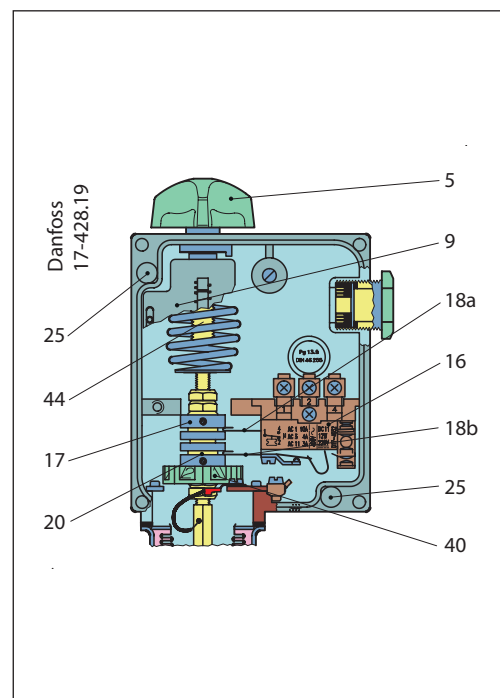
**Design / Function**  
(continued)

- 5. Setting knob
- 9. Regulation range scale
- 12. Main spring
- 15. Main spindle
- 16. Switch
- 17. Upper guide bush
- 18a and 18b. Contact arm
- 20. Lower guide bush
- 23. Bellows element
- 25. Fixing hole
- 28. Capillary tube
- 29. Sensor (bulb)
- 40. Neutral zone setting nut
- 44. Temperature setting spindle

Key sketch RTL thermostat with neutral zone

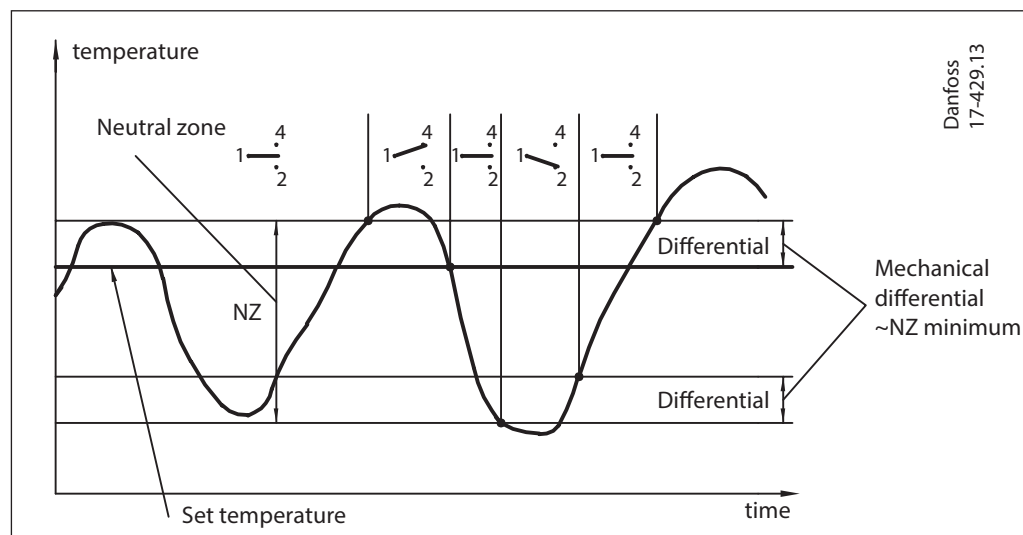


RTL thermostat with neutral zone



RT L thermostats are fitted with a switch with an adjustable neutral zone. This enables the units to be used for floating control. The neutral zone switch contact arms (18a) and (18b) are operated by the spindle guide bushes (17) and (20).

The upper guide bush (17) is fixed while the lower guide bush (20) can be moved up or down by the setting nut (40). In this way the neutral zone can be varied between a minimum value (equal to the mechanical differential of the unit) and a maximum value (depending on the type of RT unit).



**Terminology**

*Floating control*

A form of delayed control where the correcting element (e.g. valve, damper, or similar) moves towards one extreme position at a rate independent of the magnitude of the error when the error exceeds a definite positive value, and towards the opposite extreme position when the error exceeds a definite negative value.

*Hunting*

Periodic variations of the controlled variable from the fixed reference.

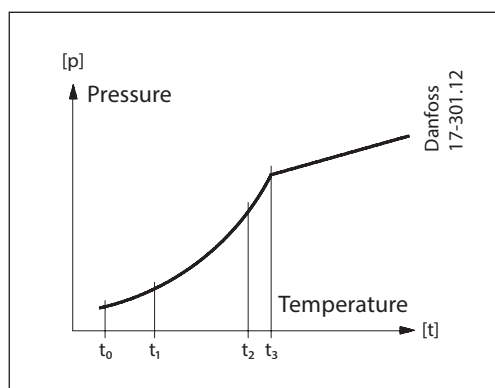
*Neutral zone*

The interval between the make points of the two contacts.



Charges

1. Vapour charge



Here the interdependence between the pressure and temperature of saturated vapour is utilized, i.e. the element is charged with saturated vapour plus a small amount of liquid. The charge is pressure-limited; a further increase in pressure after evaporation of all the liquid in the bulb, will only result in a small pressure increase in the element.

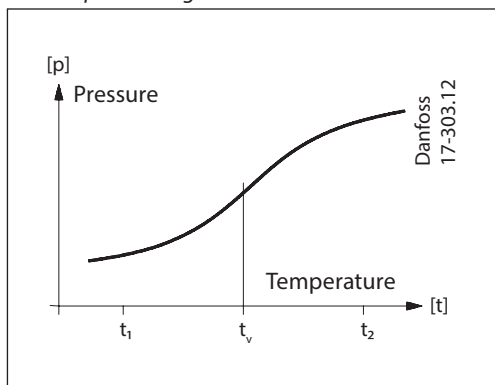
This principle can be utilized in thermostats for low temperature, etc., where evaporation must be able to take place from the free liquid surface in the bulb (within the operation range of the thermostat), and where at the same time, the bellows must be protected against deformation when kept at normal ambient temperatures. Since the pressure in the element depends on the temperature at the free liquid surface, the thermostat must always be placed so that the bulb is colder than the rest of the thermostatic element.

The evaporated liquid will recondense at the coldest point, i.e. the bulb. Thus, as intended, the bulb becomes the temperature-controlling element in the system.

**Note:**

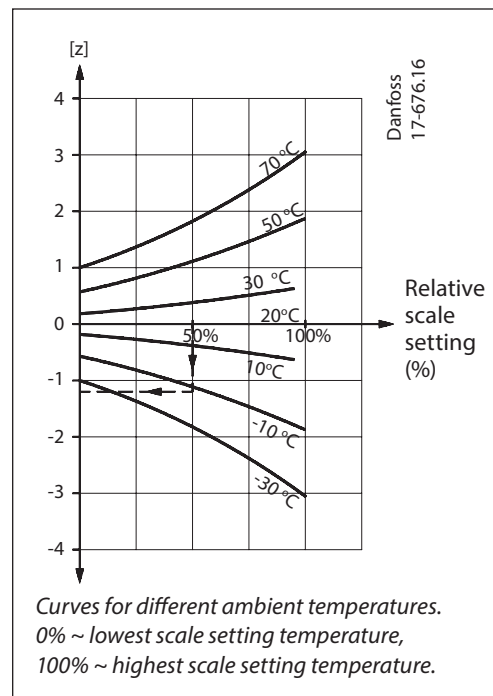
When the bulb is coldest, the ambient temperature has no effect on regulating accuracy.

2. Adsorption charge



In this case the charge consists partly of a superheated gas and partly of a solid having a large adsorption surface. The solid is concentrated in the bulb and it is therefore always the bulb that is the temperature-controlling part of the thermostatic element. The bulb can thus be placed warmer or colder than the rest of the thermostatic element. Such a charge is however to some extent sensitive to changes in the temperature of the bellows element and capillary tube. Under normal conditions this is not important, but if the thermostat is used in extreme conditions, scale deviation will occur. The scale can be corrected by using the graph and the table. Scale correction =  $Z \times a$ . Z can be found in the graph and "a" in the table.

Scale deviation factor



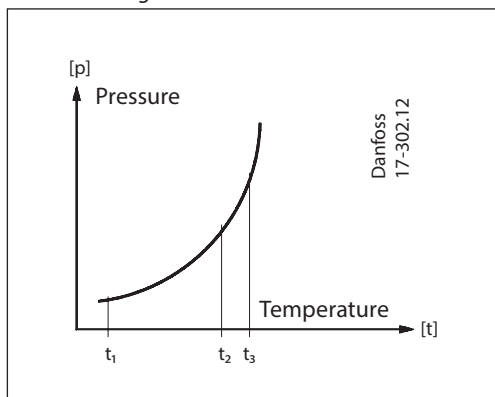
| Type            | Range [°C] | Correction factor "a" |
|-----------------|------------|-----------------------|
| RT 2            | -25 – 15   | 2.3                   |
| RT 7            | -25 – 15   | 2.9                   |
| RT 8, RT 8L     | -20 – 12   | 1.7                   |
| RT 12           | -5 – 10    | 1.2                   |
| RT 14, RT 14L   | -5 – 30    | 2.4                   |
| RT 15           | 8 – 32     | 1.2                   |
| RT 23           | 5 – 22     | 0.6                   |
| RT 24           | 15 – 34    | 0.8                   |
| RT 101, RT 102  | 25 – 90    | 5.0                   |
| RT 140, RT 140L | 15 – 45    | 3.1                   |

**Charges**  
(continued)

*Example*  
Scale correction on an RT 14 (range -5 – 30 °C) at activating temperature 12 °C and ambient temperature -10 °C.  
The scale temperature, 12 °C, lies approximately in the middle of the scale range, i.e. relative scale setting of 50%.

The factor Z can be found in the graph from 50% and the curve for -10 °C, i.e. approx. -1.2.  
The correction factor “a” can be found in the table for an RT 14, i.e. 2.4.  
The scale correction =  $Z \times a = -1.2 \times 2.4 = -2.88$ .  
If activation at 12 °C for the same conditions is required, the thermostat must be set at  $12 \times 2.88 = 9.12 \approx 9.1$ .

3. Partial charge



Partial charge is used in RT units having a range lying higher than ambient temperature.  
As with the vapour charge, the partial charge utilizes the interdependence between the pressure and temperature of saturated vapour.

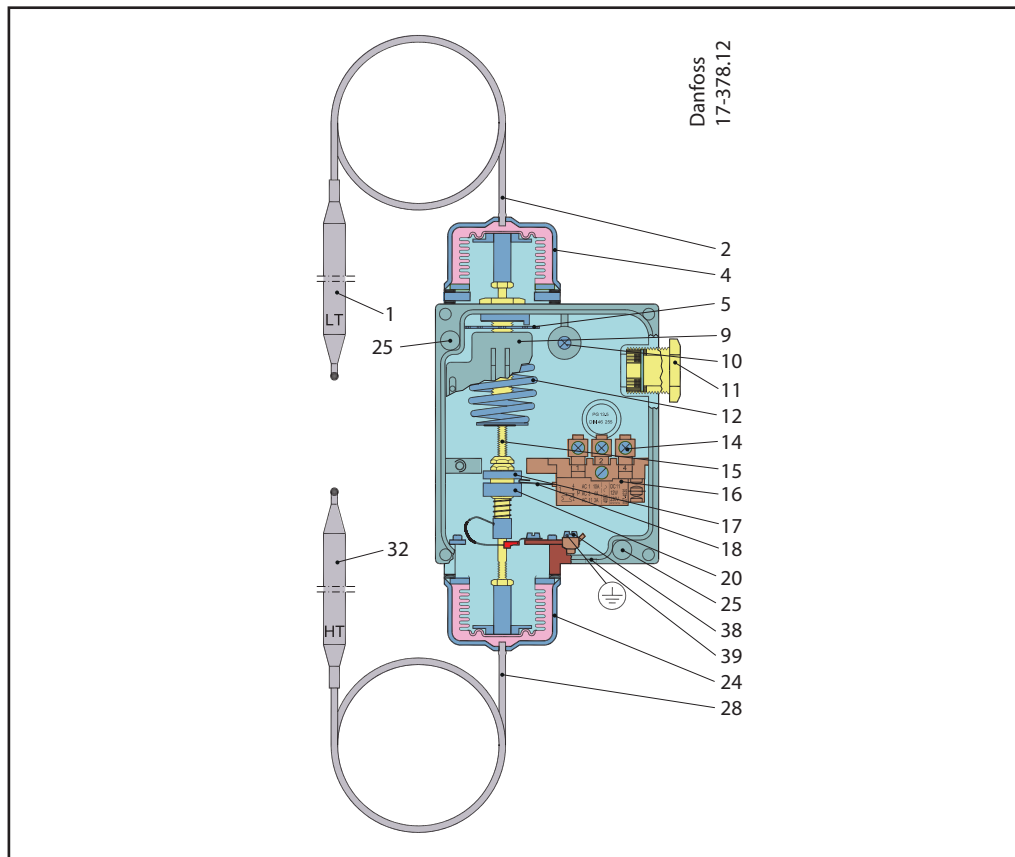
The partial charge is of such a volume that the bellows housing, capillary tube and a small part of the bulb are filled when the thermostat is in operation. The bulb is thus the warmest part of the system.  
The liquid will condense in the remaining, coldest, part of the system but because of the volume of the charge the free liquid surface will always be in the bulb. In this way, the bulb becomes the temperature-controlling part of the system.

**Note:**  
When the bulb is placed warmest, the ambient temperature has no effect on regulating accuracy.

Design / Function

RT differential thermostat

- 1. LT sensor (bulb)
- 2. Capillary tube
- 4. LT bellows element
- 5. Setting disc
- 9. Regulation range scale
- 10. Loop terminal
- 11. Pg 13.5 screwed cable entry
- 12. Main spring
- 14. Terminals
- 15. Main spindle
- 16. Switch
- 17. Upper guide bush
- 18. Contact arm
- 20. Lower guide bush
- 24. HT bellows element
- 25. Fixing hole
- 28. Capillary tube
- 32. HT sensor (bulb)
- 38. Earth terminal
- 39. Blow-out disc



An RT differential thermostat contains a single-pole changeover switch that makes or breaks depending on the temperature difference between the two sensors of the unit.

The RT 270 017D003166 is for use in process plant, ventilation plant, and refrigeration and heating plant where there is need to maintain a certain temperature differential, 0 – 15 °C, between two media. One sensor is used as a reference and the other as a control sensor. The temperature differential is the direct controlled variable.

The figure shows a cross-section of the RT 270.

The differential thermostat contains two bellows elements: the LT element whose sensor must be placed in the medium having the lowest temperature, and the HT element whose sensor must be placed in the medium having the highest temperature.

The main spring has a rectilinear characteristic.

Within the operating range the RT 270 can be set for different temperature differentials by the setting disc (5).

When the differential between LT and HT sensor temperature falls, the main spindle (15) moves downwards.

The contact arm (18) is moved downwards by the guide (17) so that contacts (1-4) break and contacts (1-2) make when the set temperature differential is reached.

The contacts changeover again when the temperature differential rises to the set value plus the fixed contact differential of approx. 2 °C.

*Example*

Set differential = 4 °C.

Switch breaks at 4 °C differential and remakes at 4+2=6 °C.

**Terminology**

*Regulation range*

The temperature differential between LT and HT sensors within which the unit can be set to operate. Indicated on the thermostat scale.

*Scale indication*

The difference between the temperature on LT and HT sensors at the moment when the switch contacts change over as a result of the downward movement of the spindle.

*Operating range*

The temperature range of the LT sensor, within which the differential thermostat can operate.

*Contact differential*

The temperature rise on the HT sensor over the set temperature differential which causes the switch contacts to make or break.

*Reference sensor*

The sensor that is placed in the medium whose temperature is not affected by the function of the thermostat (HT or LT sensor).

*Control sensor*

The sensor that is placed in the medium whose temperature must be controlled (LT or HT sensor).

---

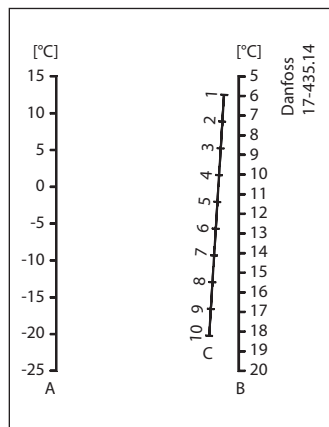
**Setting of differential**

The knob can be used to make a setting on the range scale for the lowest temperature at which the contact system must be activated (cut-out or cut-in).

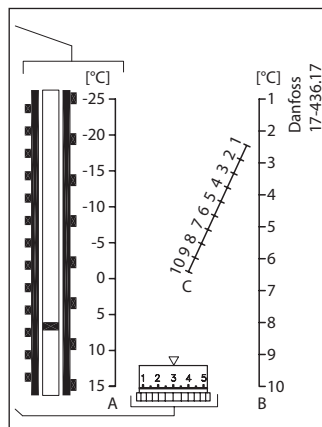
The differential roller 19 must then be used to set the differential. The highest activating temperature at the sensor is equal to the activating temperature + the set differential.

Nomograms for obtained differentials

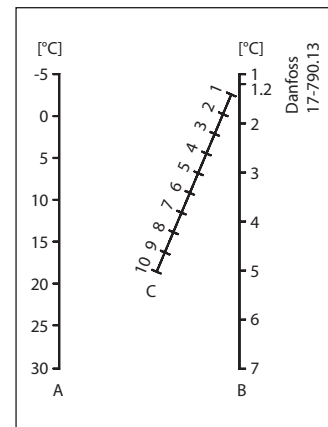
RT 2



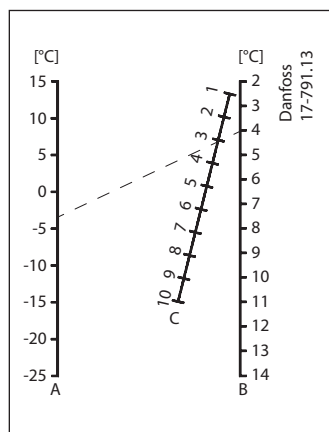
RT 3



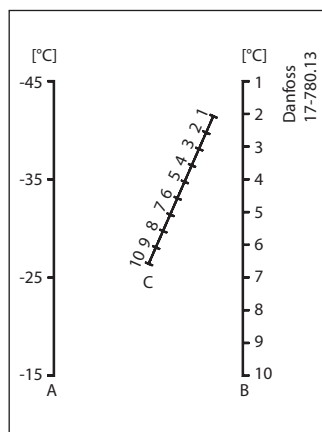
RT 4



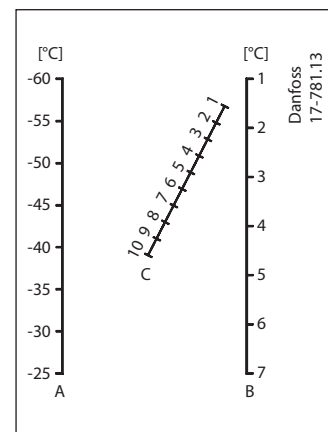
RT 7



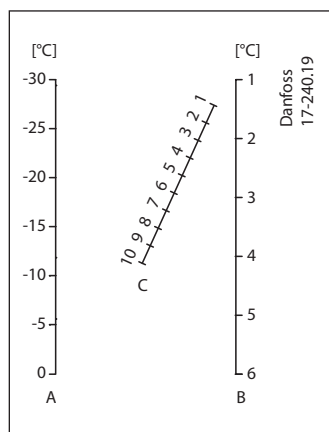
RT 9



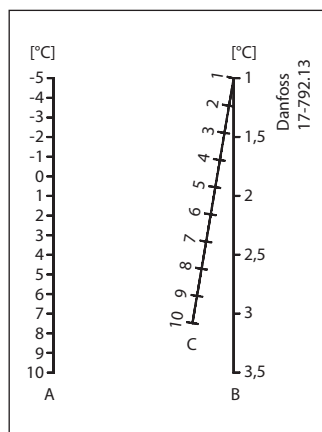
RT 10



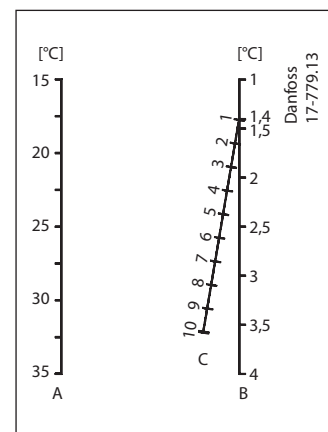
RT 11, RT 13



RT 12



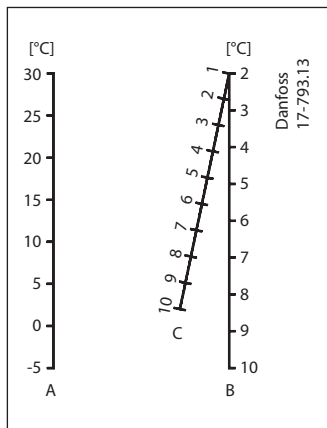
RT 24



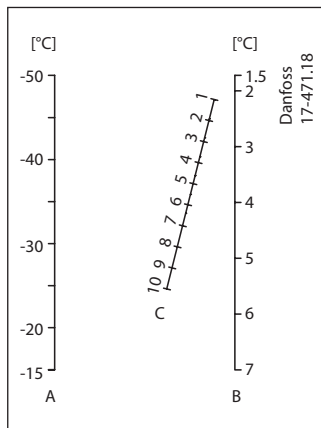
A = Range setting  
 B = Obtained differential  
 C = Differential setting

**Nomograms for  
obtained differentials**  
(continued)

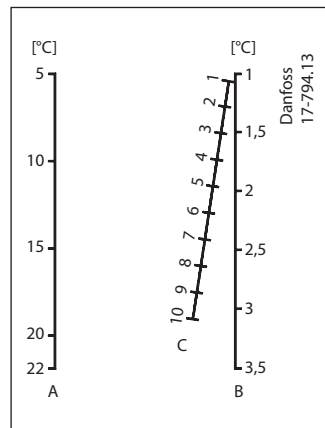
RT 14



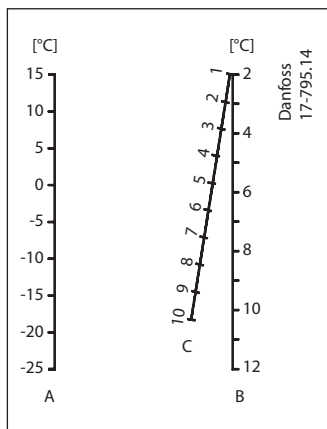
RT 17



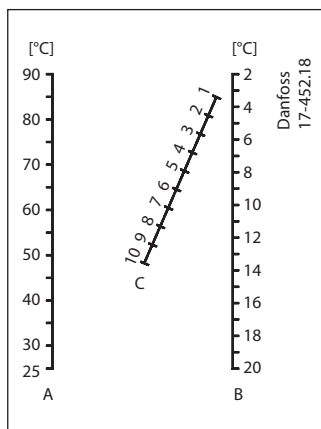
RT 23



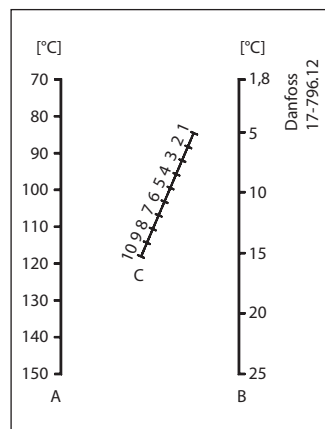
RT 34



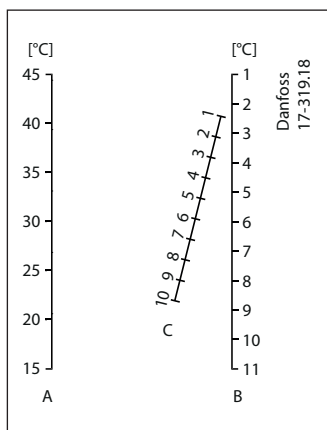
RT 101



RT 107



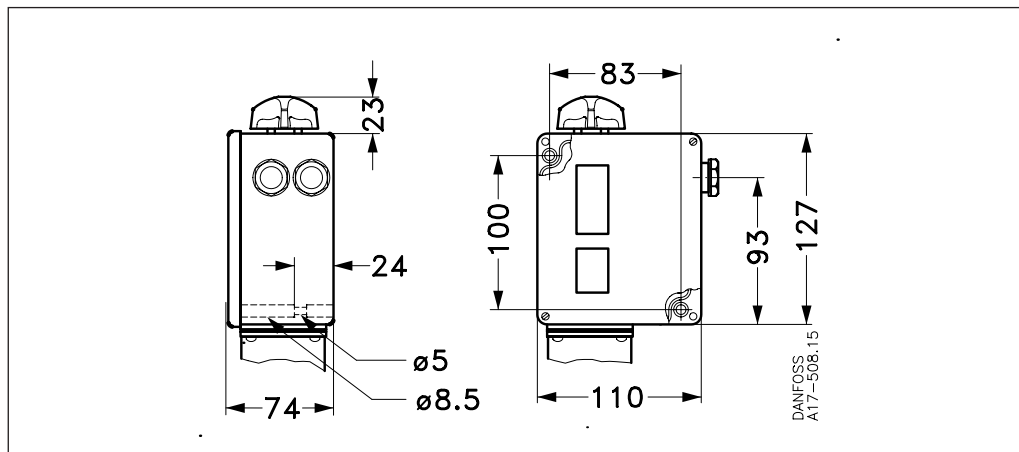
RT 140



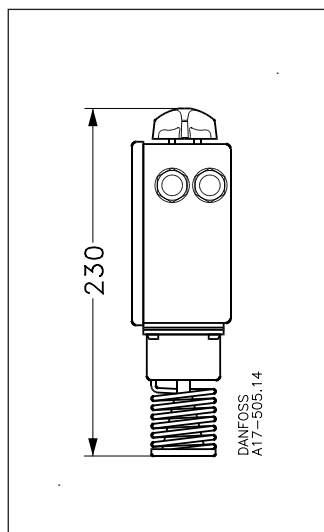
A = Range setting  
B = Obtained differential  
C = Differential setting

Dimensions [mm]  
and weights [kg]

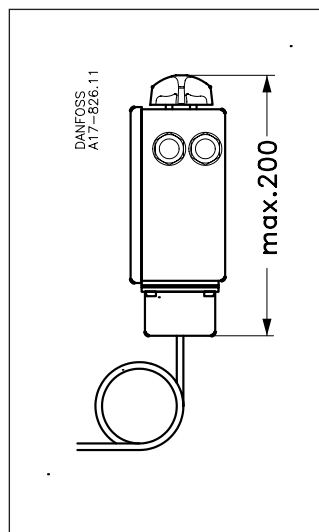
RT thermostat housing



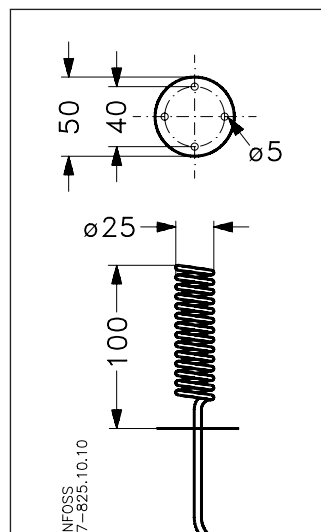
RT 4, RT 11, RT 16L, RT 17, RT 34



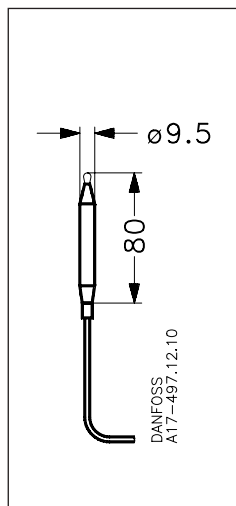
RT thermostat housing



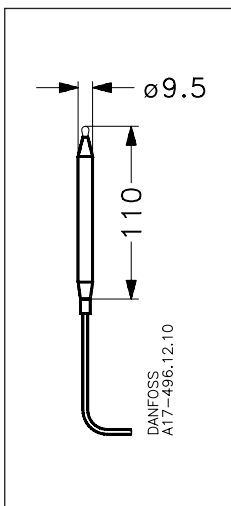
RT 140, RT 140L



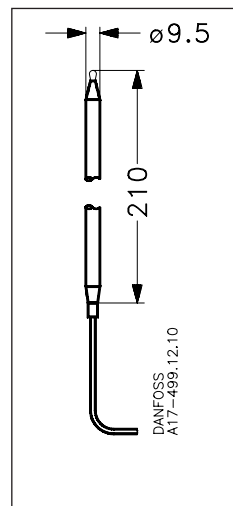
RT 2, RT 3, RT 7, RT 9,  
RT 13, RT 101



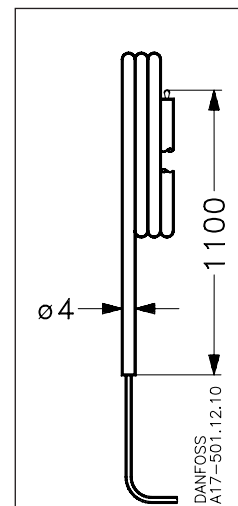
RT 8, RT 8L, RT 14,  
RT 14L, RT 15, RT 107,  
RT 270



RT 12, RT 23, RT 24



RT 102



Net weight approx. 1 kg

ENGINEERING  
TOMORROW



Danfoss can accept no responsibility for possible errors in catalogues, brochures and other printed material. Danfoss reserves the right to alter its products without notice. This also applies to products already on order provided that such alterations can be made without subsequential changes being necessary in specifications already agreed. All trademarks in this material are property of the respective companies. Danfoss and the Danfoss logotype are trademarks of Danfoss A/S. All rights reserved.