



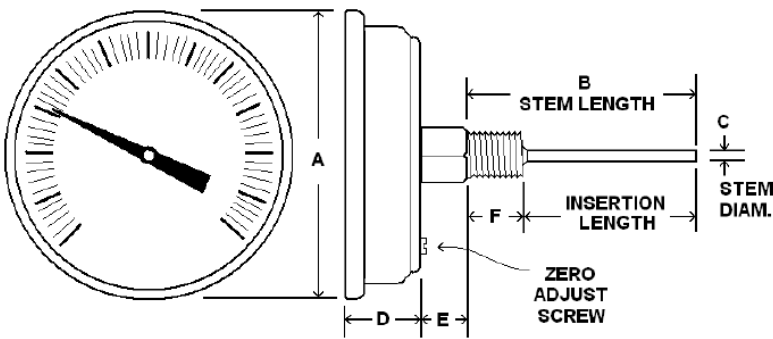
**KODIAK
CONTROLS®
INC.**

KCBxBx Series Bimetal Thermometer

Kodiak's BxBx series is an industrial grade bimetal thermometer which comes hermetically sealed, has an anti-vibration design, an external adjustment screw (3" & 5" dials), and also has an anti-parallax dial as standard features.

Specifications

- Dial Sizes:** 2", 3", 5"
- Case:** Stainless Steel, Hermetically Sealed
- Wetted Parts:** 316SS Stem
- Stems:** 2.5", 4", 6", 9", 12"
- Lens:** Glass
- Pointer:** Black Aluminum
- Connection:** Back Mount
- 2" Dial - 1/4" NPT
- 3" Dial - 1/2" NPT
- 5" Dial - 1/2" NPT
- Scale:** Dual F&C
- Accuracy:** 1% Full Scale



	Unit	A	B	C	D	E	F
2" Dial	IN	2.30	Stem Length	0.25	0.51	0.39	1/4" NPT
	MM	58.4		6.45			
3" Dial	IN	3.26	Stem Length	0.25	0.80	0.43	1/2" NPT
	MM	83		6.45			
5" Dial	IN	5.28	Stem Length	0.25	0.82	0.43	1/2" NPT
	MM	134		6.45			

Options*

- Custom Dials
- Custom Lens Material
- Special Connection Threads
- Special Ranges
- NIST Certificates of Calibration

*Lead times and minimum orders may apply

Example:

KCB 3 B 2 0/250FC

