

General Purpose Switch

Series **TPR**

Features

- ▶ High accuracy
- ▶ NEMA 4X & IP 65
- ▶ UL, CSA and CE approved
- ▶ Low cost

Applications

- ▶ Heat trace
- ▶ Water equipment
- ▶ Process equipment
- ▶ Machine tools and industrial equipment
- ▶ Freeze protection



General Specifications*

Accuracy:	±4°F
Switch: Type:	Single pole double throw (SPDT), prewired snap action
Rating:	22 amp @ 125/250/480 VAC
Electrical Characteristics:	All models incorporate Underwriters' Laboratories, Inc. and CSA listed single pole double throw snap-action switching elements. Switches may be wired normally open or normally closed.
Wetted Parts:	Tin plated copper sensor & capillary
Electrical Connection:	1-1/8" (28mm) hole for 3/4" NPT conduit hub 12", 14 AWG stranded copper wire
Enclosure Rating:	NEMA 4X
Enclosure/Housing:	Polycarbonate (black)

Bulb and Capillary: Bulb:	3-1/8" (79mm), 1/16" (10mm) dia.
Capillary Length:	30" (762mm) or 120" (3048mm)
System Pressure (max):	300 psi without thermowell
Fill:	Silicone oil-filled
Approvals:	UL listed, file E56247 CSA certified, file LR 58658 EN/RFI: to EN 5011
Temperature Range:	-40° to 160°F (-40° to 71°C) Fixed setpoint factory set at 40°F Contact closes on decreasing temperature
Ambient Temperature:	-30° to 140°F (-34° to 60°C)
Vibration:	10 g's 10-500 Hz, MIL-STD 202F
Shock:	50 g's, 10 mS, MIL-STD 901C
Weight:	1.1 lbs. (0.5 kg)

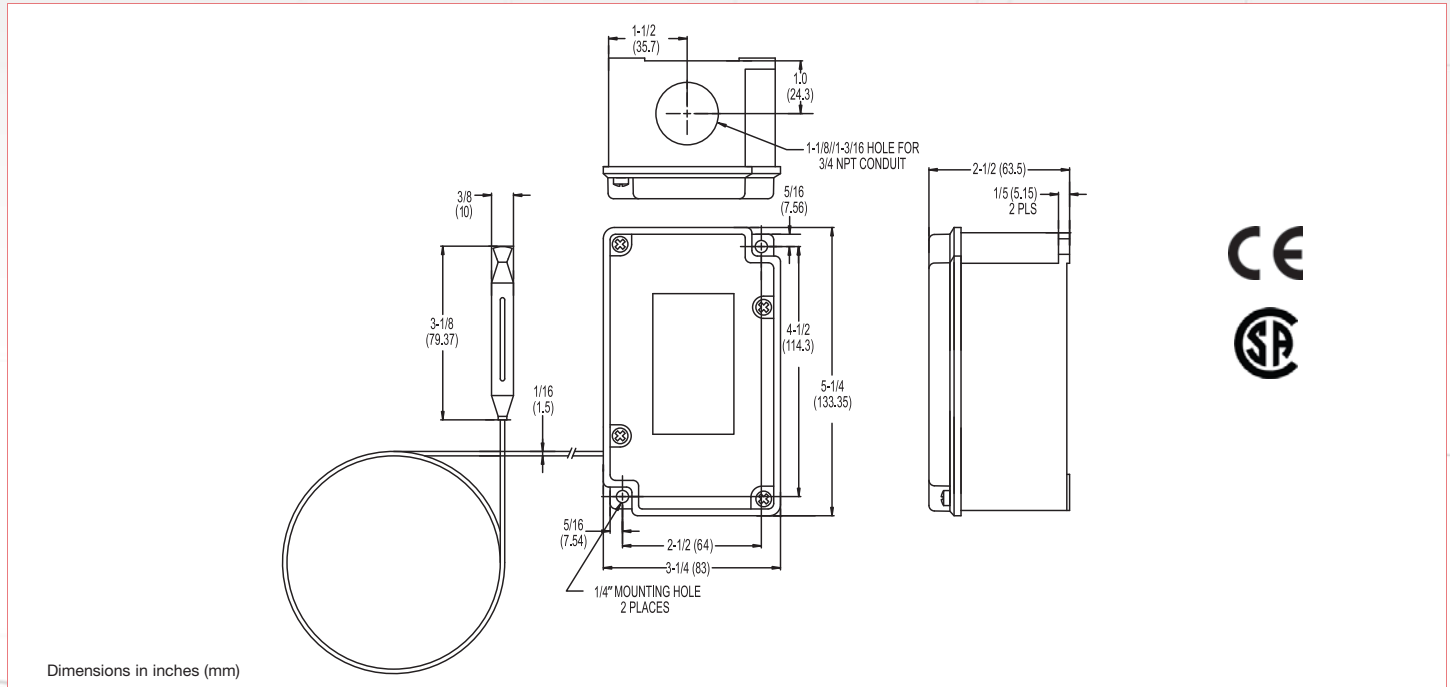
* See Product Configurator for additional options.

Wiring Code

Lead	Circuit
Normally Closed	Blue
Common	Purple
Normally Open	Red

Media Temperature Limits	Factory Preset	Differential (approximate)	Catalog Number
-40 to 160°F (-40 to 71°C)	40°F (4.4°C)	10°F (5.6°C)	TPR-L1N-3X-Q10

Technical Drawing



Product Configurator

Example T P R -L 1 N -3X -Q10

Basic Configurator

T Temperature switch

Basic Configurator

P Polycarbonate plastic NEMA 4X enclosure

Basic Configurator

R Remote bulb & capillary

Limit Switch

-L 22 amp @ 125/250/480 VAC; standard

Temperature Range

Range	Fixed Set-point (Decreasing)		Media Temperature Limit (Proof)				Differential (Approx.) Liquid	
	°F	°C	°F		°C		°F	°C
1	40°	4.4°	Low	High	Low	High	10°	5.6°
			-40°	+160°	-40°	+71°		

-Q10 Heat tracing model

Bulb & Capillary Length

-3X 3 foot bulb & capillary sensor
-10X 10 foot bulb & capillary sensor

Wetted Material

N Tin plated copper sensor